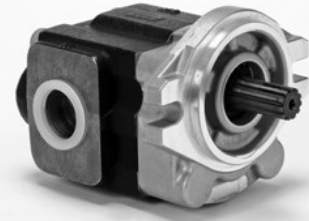


SGP400 Series

Cast-iron body



C621-E023A

◆ Model number

SGP400 | **A** | **30** | **A** | **1** | **H** | **1** | **-** | **L** | **XXX**

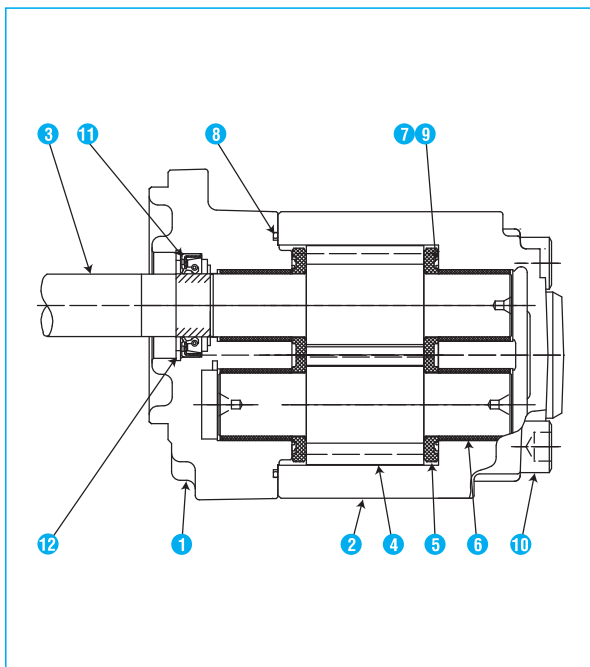
1
2
3
4
5
6
7
8
9

- | | | | |
|--|---|---|---|
| <p>1 Series number
SGP400 series</p> <p>2 Mounting spigot diameter
- : $\phi 82_{-0.090}^{-0.036}$ Z : $\phi 102_{-0.090}^{-0.036}$
A : $\phi 82.55_{-0.06}^{-0.05}$ B : $\phi 101.6_{-0.05}^{-0.05}$</p> <p>3 Size</p> | <p>4 Position of ports
A : side ports
D : rear ports</p> <p>5 Port configuration
1 : flange port
2 : G screw thread</p> | <p>6 Mounting
H : horizontal 2 bolts</p> <p>7 Shaft end
1 : SAE Spline 13 teeth</p> | <p>8 Rotation viewing from shaft end
L = counterclockwise
R = clockwise</p> <p>9 Code number in 3 figures</p> |
|--|---|---|---|

◆ Specifications

Size	Displacement		Rated pressure			Max. peak pressure			Speed min ⁻¹		Inlet pressure	Mass						
	cm ³	in ³	MPa	bar	psi	MPa	bar	psi	MIN.	MAX.		kg	lb					
16	16.0	0.976	25.0	250	3625	30.0	300	4350	500	3500	bar -0.20~ 2.0	5.4	11.88					
26	26.3	1.604								3400								
27	27.5	1.678								3300	MPa -0.02~ 0.2	6.0	13.20					
30	29.5	1.800								3200								
32	32.8	2.001								22.0	220	3190	26.4	264	3828	psi -2.9 ~29	6.2	13.64
34	33.6	2.050								21.5	215	3118	25.8	258	3741			

◆ Typical assembly



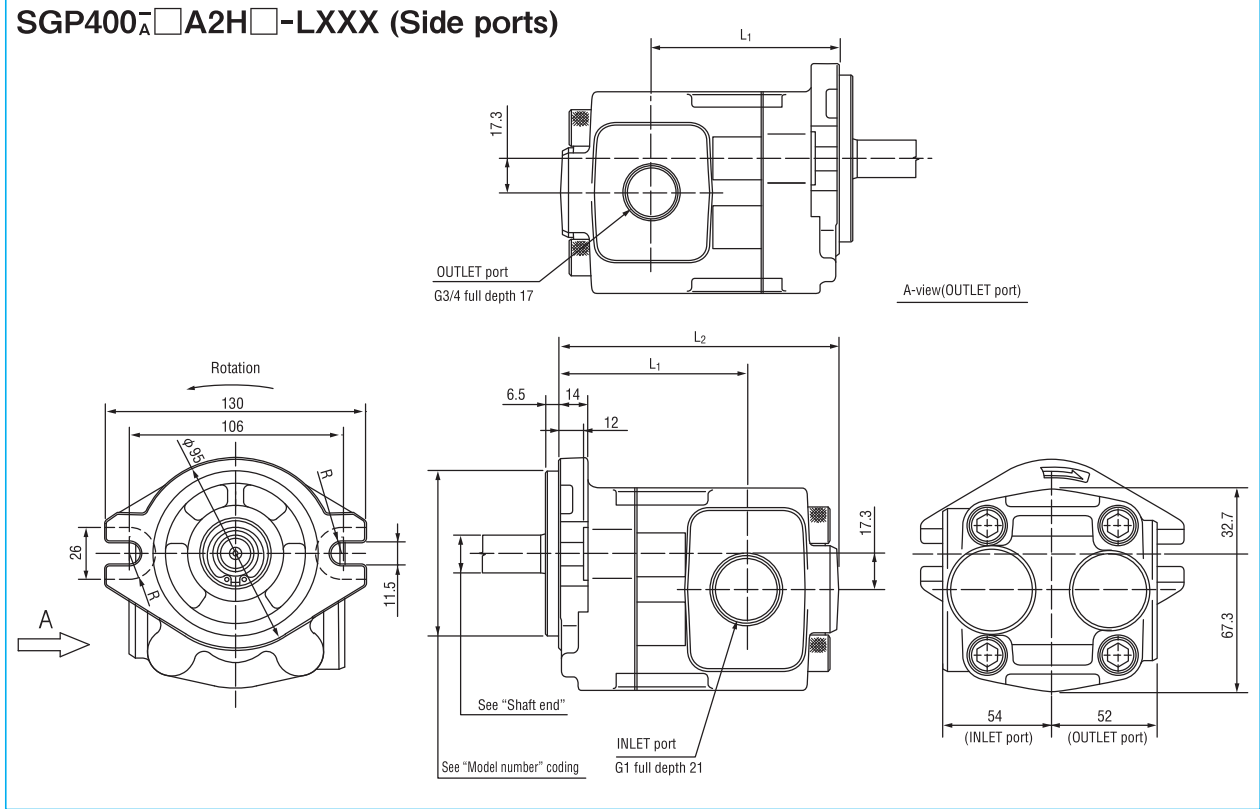
Item No.	Name	QTY	Material
1	Front cover	1	Aluminum alloy
2	Body	1	Cast iron
3	Drive gear	1	Alloy steel
4	Driven gear	1	Alloy steel
5	Side plate	2	Special alloy steel
6	Bush	4	Special alloy steel
7	Gasket	2	Nitrile rubber
8	O-ring	1	Nitrile rubber
9	Back-up	2	Synthetic resin
10	Bolt	4	Alloy steel
11	Oil seal	1	Nitrile rubber
12	Retainer ring	1	Carbon steel

NOTES : "QTY" shows the amount per one

SGP400 Series Cast-iron body

◆ Outline dimensions

dimensions in mm



- NOTE 1. Figure shown indicated counterclockwise rotation “L” viewing from shaft end.
 2. Unless otherwise specified, tolerance on dimension are ± 1.0 mm.

Size	L ₁	L ₂
16	71.3	118
26	83.8	131
27	85.3	132
30	87.8	135
32	91.8	139
34	92.8	140

● Shaft end

SAE Spline (Some dimensions are different form SAE standard.)	
SAE Spline 13 teeth	
	No. of teeth : 13
	D.P. : 16/32
	Pressure angle : 30°
	Over pin dia. : 24.891~ 24.819
	Pin dia. : $\phi 3.048$