

SMG400 Series

Low-noise gear pump, Cast-iron body



C621-E025A

◆ Model number

SMG400 | **A** | **30** | **A** | **1** | **H** | **1** | **-** | **L** | **XXX**

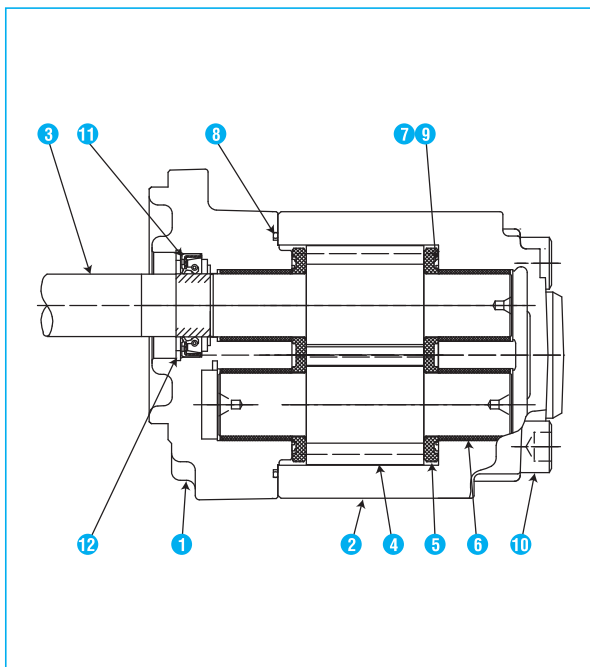
①
②
③
④
⑤
⑥
⑦
⑧
⑨

- | | | | |
|---|---|---|---|
| <p>① Series number
SMG400 series</p> <p>② Mounting spigot diameter
- : $\phi 82_{-0.090}^{-0.036}$ Z : $\phi 102_{-0.090}^{-0.036}$
A : $\phi 82.55_{-0.06}^{-0.06}$ B : $\phi 101.6_{-0.05}^{-0.05}$</p> <p>③ Size</p> | <p>④ Position of ports
A : side ports
D : rear ports</p> <p>⑤ Port configuration
1 : flange port
2 : G screw thread</p> | <p>⑥ Mounting
H : horizontal 2 bolts</p> <p>⑦ Shaft end
1 : SAE Spline 13 teeth</p> | <p>⑧ Rotation viewing from shaft end
L = counterclockwise
R = clockwise</p> <p>⑨ Code number in 3 figures</p> |
|---|---|---|---|

◆ Specifications

Size	Displacement		Rated pressure			Max. peak pressure			Speed min ⁻¹		Inlet pressure	Mass	
	cm ³	in ³	MPa	bar	psi	MPa	bar	psi	MIN.	MAX.		kg	lb
16	16.6	1.013	23.0	230	3335	27.6	276	4002	500	3400	bar	5.4	11.88
20	20.8	1.269									-0.20~ 2.0		
23	24.2	1.476									MPa		
27	28.5	1.739									-0.02~ 0.2		
30	30.6	1.867									psi		
											-2.9 ~29	6.0	13.20

◆ Typical assembly



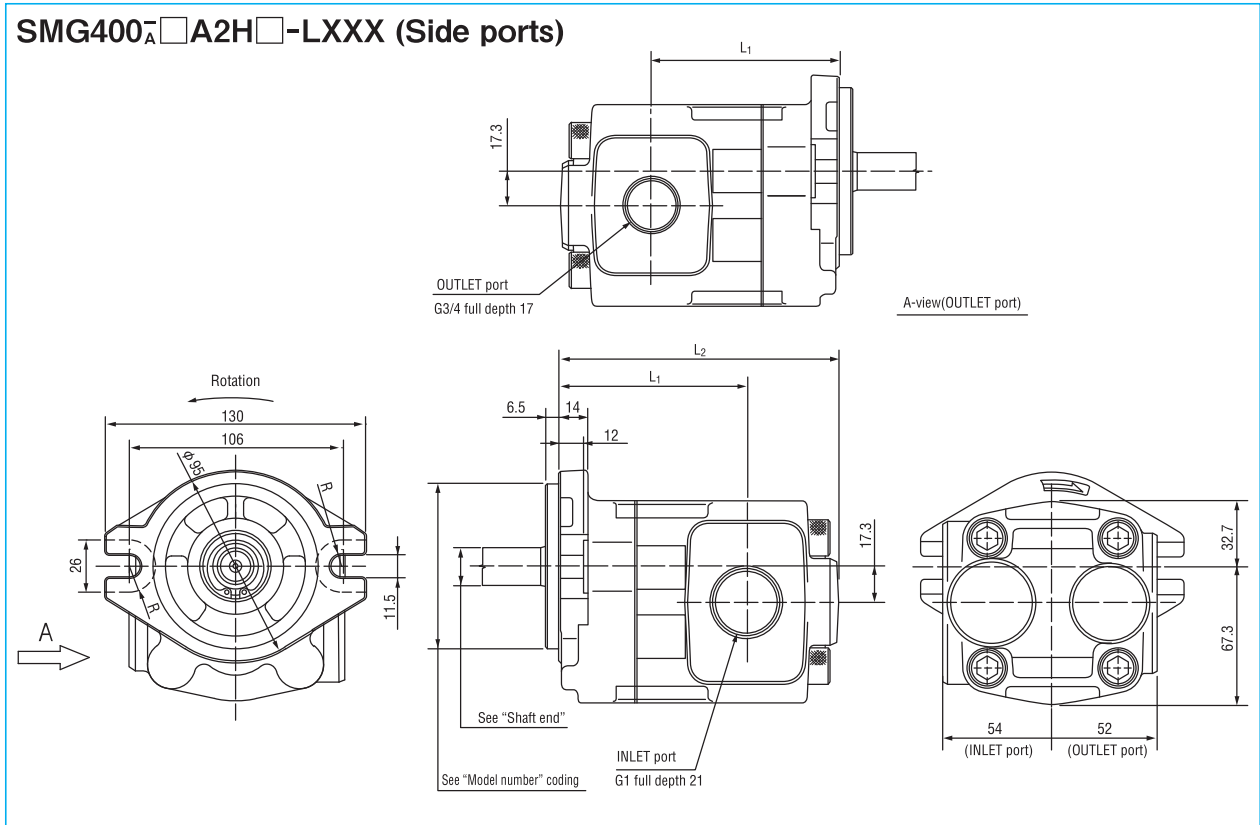
Item No.	Name	QTY	Material
①	Front cover	1	Aluminum alloy
②	Body	1	Cast iron
③	Drive gear	1	Alloy steel
④	Driven gear	1	Alloy steel
⑤	Side plate	2	Special alloy steel
⑥	Bush	4	Special alloy steel
⑦	Gasket	2	Nitrile rubber
⑧	O-ring	1	Nitrile rubber
⑨	Back-up	2	Synthetic resin
⑩	Bolt	4	Alloy steel
⑪	Oil seal	1	Nitrile rubber
⑫	Retainer ring	1	Carbon steel

NOTES : "QTY" shows the amount per one

SMG400 Series Low-noise gear pump, Cast-iron body

◆ Outline dimensions

dimensions in mm



NOTE 1. Figure shown indicated counterclockwise rotation "L" viewing from shaft end.
2. Unless otherwise specified, tolerance on dimension are ± 1.0 mm.

Size	L ₁	L ₂
16	71.3	118
20	76.3	123
23	80.3	127
27	85.3	132
30	87.8	135

● Shaft end

