



## ◆ Model number

**NP21 - 14 A 9 H 9 - R XXX**

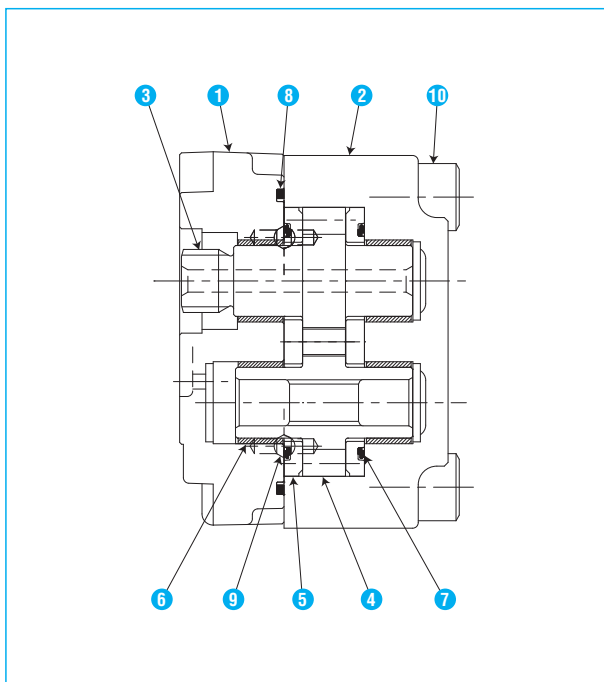
1
2
3
4
5
6
7
8

- |  |   |   |  |
|--|---|---|--|
| <p><b>1</b> Series number<br/>NP21 series</p> <p><b>2</b> Size</p> | <p><b>3</b> Position of outlet port<br/>A : body side port</p> <p><b>4</b> Outlet port configuration<br/>9 : G screw thread</p> | <p><b>5</b> Mounting<br/>H : horizontal 2 bolts</p> <p><b>6</b> Shaft end<br/>9 : SAE Spline 10 teeth</p> | <p><b>7</b> Rotation viewing from shaft end<br/>R = clockwise</p> <p><b>8</b> Code number in 3 figures</p> |
|--|---|---|--|

## ◆ Specifications

Size	Displacement		Rated pressure			Max. peak pressure			Speed min <sup>-1</sup>		Inlet pressure	Mass	
	cm <sup>3</sup>	in <sup>3</sup>	MPa	bar	psi	MPa	bar	psi	MIN.	MAX.		kg	lb
4.5	4.46	0.272	20.6	206	2987	24.5	245	3553	900	3000	bar -0.20~ 1.0  MPa -0.02~ 0.1  psi -2.9 ~14.5	3.8	8.36
5	5.20	0.317										3.8	8.36
6	6.00	0.366										3.8	8.36
8	8.00	0.488										3.8	8.36
9	9.06	0.553				4.0	8.80						
10.5	10.4	0.634				4.0	8.80						
12	12.2	0.744				4.0	8.80						
14	14.1	0.860	22.6	226	3277	4.4	9.68						

## ◆ Typical assembly



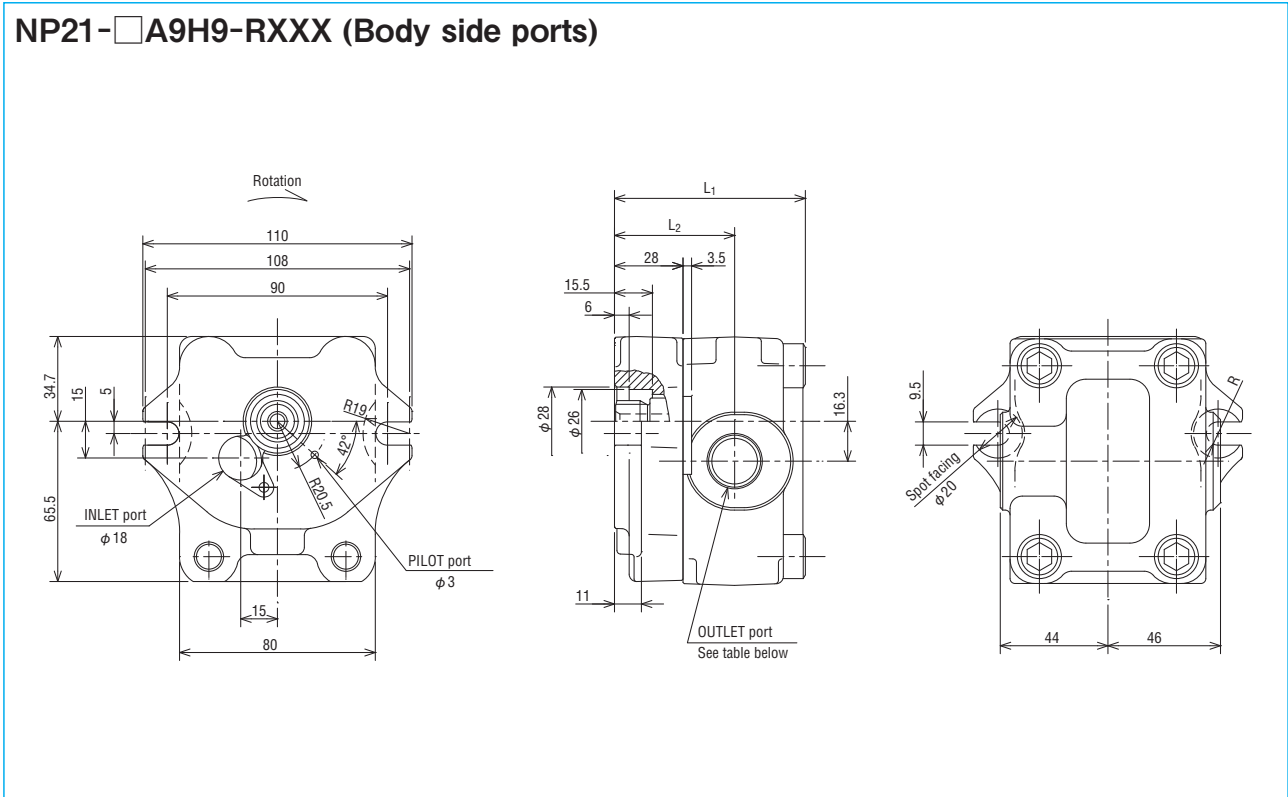
Item No.	Name	QTY	Material
<b>1</b>	Front cover	1	Cast iron
<b>2</b>	Body	1	Cast iron
<b>3</b>	Drive gear	1	Alloy steel
<b>4</b>	Driven gear	1	Alloy steel
<b>5</b>	Side plate	2	Special alloy steel
<b>6</b>	Bush	4	Special alloy steel
<b>7</b>	Gasket	2	Nitrile rubber
<b>8</b>	Gasket	1	Nitrile rubber
<b>9</b>	Steel ball	2	Alloy steel
<b>10</b>	Bolt	4	Alloy steel

NOTES : "QTY" shows the amount per one

## ◆ Outline dimensions

dimensions in mm

### NP21-□A9H9-RXXX (Body side ports)



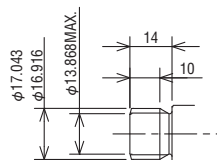
- NOTE 1. Figure shown indicated clockwise rotation “R” viewing from shaft end.  
2. Unless otherwise specified, tolerance on dimension are ±1.0 mm.

Pump size	Outlet port		L <sub>1</sub>	L <sub>2</sub>
	Thread	Depth		
4.5	G3/8	12	73	53.5
5				
6				
8				
9	G1/2	16	78	49.1
10.5				
12				
14				

## ● Shaft end

SAE Spline (Some dimensions are different form SAE standard.)

SAE Spline 10 teeth



- No. of tooth : 10
- D.P. : 16/32
- Pressure angle : 30°
- Over pin dia. : 20.263~  
20.193
- Pin dia. : φ3.048