

MOBILEART eco

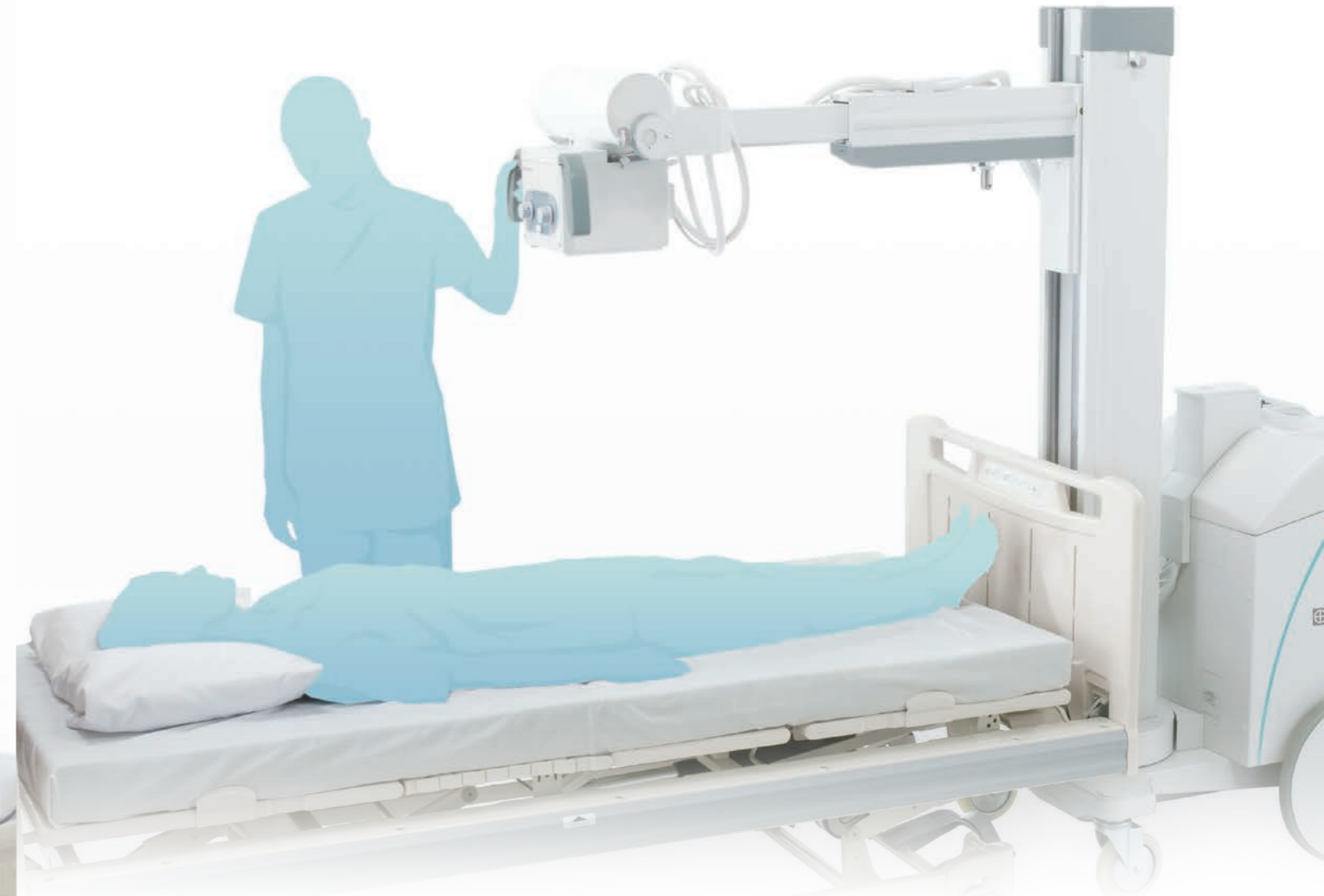
Mobile X-Ray System [MUX-10]



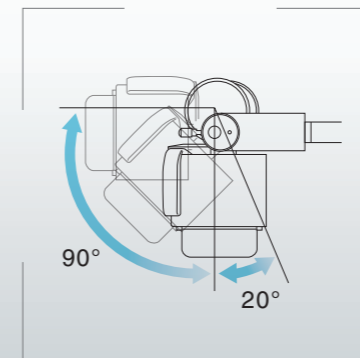
MOBILEART eco

Flexible Bedside Positioning

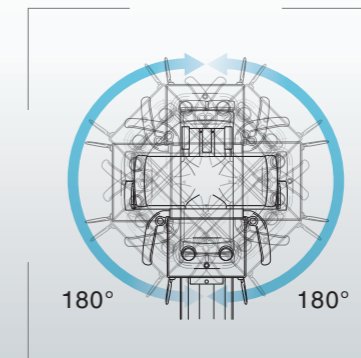
Shimadzu's mobile X-ray system allows X-rays to be taken easily in limited spaces. This is made possible by the flexibility of the X-ray tube support system with its telescopic arm which minimizes the necessity to continually relocate the main unit.



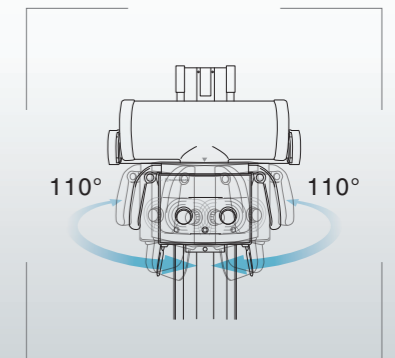
X-ray tube rotation



X-ray tube rotation



Rotation of collimator



Reliable Basic Functionality Delivering Superb Performance

Compact and good visibility design for traveling

Compact and good visibility design for moving. Lightweight design to achieve easy maneuverability in the hospital.



Simply “step over” obstacles

When moving around the hospital, even obstacles like a change in floor level can be easily negotiated by raising the body a little. With its large wheels and step mechanism for lifting the front wheels, you can “step over” obstacles easily.



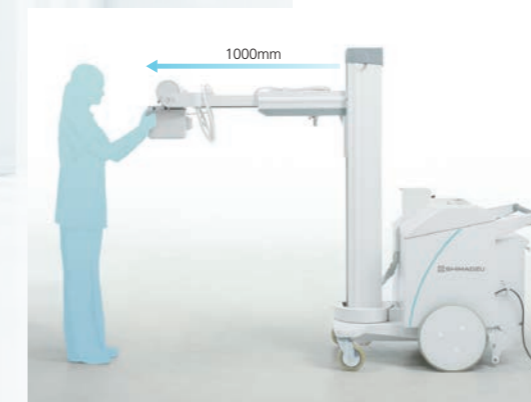
Change direction on the spot

Direction can be changed on the spot, so moving around in confined spaces is easy.



Wide coverage area

Long arm and wide stroke allow flexible positioning and extensive coverage.



Energy saving collimator with a bright irradiation field

LEDs have been adopted as the light source to indicate the irradiation field. This reduces power consumption while improving brightness levels and durability.



“All Free” lock control buttons

Adjustment of focus-film distance, tube rotation, extension and contraction of the cross-arm.



Sophisticated Radiography Functions

APR buttons for one-touch setup of radiography conditions



Simply select one of the 72 preset anatomical programs (APR) to configure the optimal radiography conditions for the corresponding radiography region, direction, and body thickness.



High quality imaging

The generator has a variable frequency range capable of reaching up to 60kHz. In practical terms, this translates to very high quality radiation intensity and hence production of excellent image quality compared to other types of generators.

Inverter frequency
max. 60 kHz

Maximum tube voltage
125 kV

Tube current-time product
max. 100 mAs

*200mAs (option)

Other features



Cassette Compartment



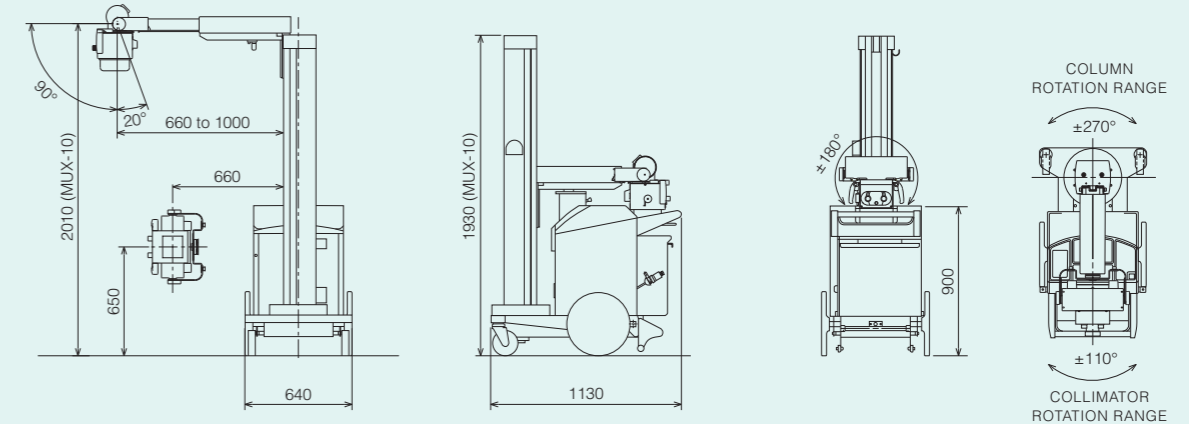
Apron Hanger

External Dimensions



X-ray High Voltage Generator	
Power rating (max.)	12.5kW
Tube voltage range	40-125kV, 1kV steps
mAs range	0.32-100 (200*) mAs in 12.5% steps (*option)
Tube current (max.)	160mA
X-ray Tube	
Maximum anode heat capacity	140kJ
X-ray tube focal spot size	0.7mm
Power Supply	
	AC100, 110, 120, 200, 220, 230, 240V 50/60Hz, 1.5kVA
Weight	
	260kg (with 200mAs option, 283kg)
Cassette storage capacity	
	Ten 14" x 17" cassettes

Unit : mm



Options

Infrared Remote Control Device



200mAs Option

Dose area product meter (Required Option)

The measured dosage can be displayed on the dose area product meter.



Label Description : Mobile X-ray system MUX-10
or
Mobile X-ray system MUX-10J

Founded in 1875, Shimadzu Corporation, a leader in the development of advanced technologies, has a distinguished history of innovation built on the foundation of contributing to society through science and technology. We maintain a global network of sales, service, technical support and applications centers on six continents, and have established long-term relationships with a host of highly trained distributors located in over 100 countries. For information about Shimadzu, and to contact your local office, please visit our website at www.shimadzu.com



Shimadzu Corporation

Headquarters

1, Nishinokyo-Kuwabara-cho, Nakagyo-ku, Kyoto 604-8511, Japan
<https://www.shimadzu.com/med/>



Shimadzu Corporation Medical Systems Division has been certified by TÜV Rheinland as a manufacturer of medical systems in compliance with ISO9001:2015 Quality Management Systems and ISO13485:2016 Medical Devices Quality Management Systems.

Remarks:

- Every value in this catalogue is a standard value, and it may vary a little from the actual at each site.
- The appearances and specifications are subject to change for reasons of improvement without notice.
- Items and components in the photos may include optional items. Please confirm with your sales representative for details.
- Certain configurations may not be available pending regulatory clearance. Contact your Shimadzu representative for information on specific configurations.
- Before operating this system, you should first thoroughly review the Instruction Manual.